

# Aris Wind's Smart Pole

*Off-grid solution for lighting, security,  
and auxiliary power*



# Product Snapshot



## Hybrid Solar and Wind Powered

Completely off-grid power for lighting and additional auxiliary power loads



## 100% Renewable Clean Energy



## Highly visible Sustainability Branding

Shows commitment to sustainability and grid resiliency goals



## No Underground Trenching/Wiring Required

Reduces any risks during the installation process

## Auxiliary Power Applications



Security Equipment



USB Charging



4G Router

# Key Features

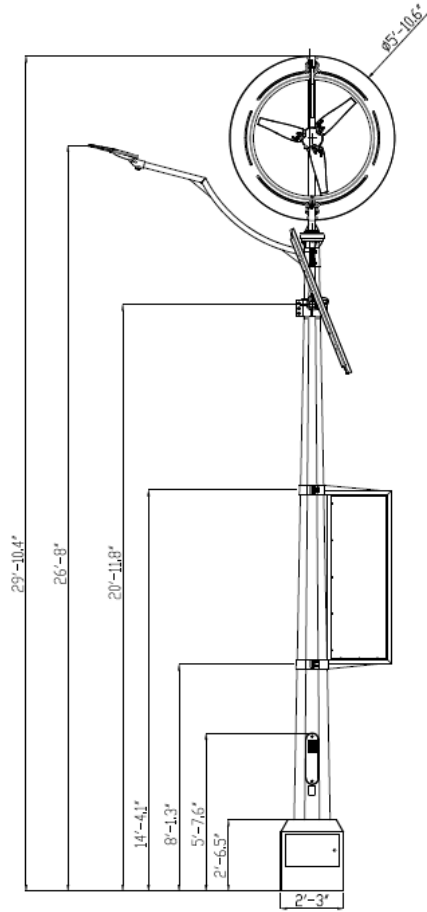


## Off-grid sustainable exterior lighting solution with an enhanced wind turbine, solar PV panel, battery storage, and smart controls

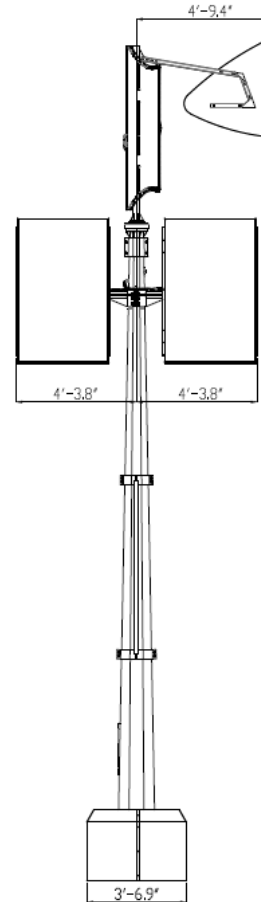
- **Wind and solar hybrid powered unit** captures year-round wind and solar energy
- **Transparent shroud feature** increases wind power output, catches low velocity wind
  - Battery storage for up to **3-5 days energy demand**
  - Integral **dimming feature** control



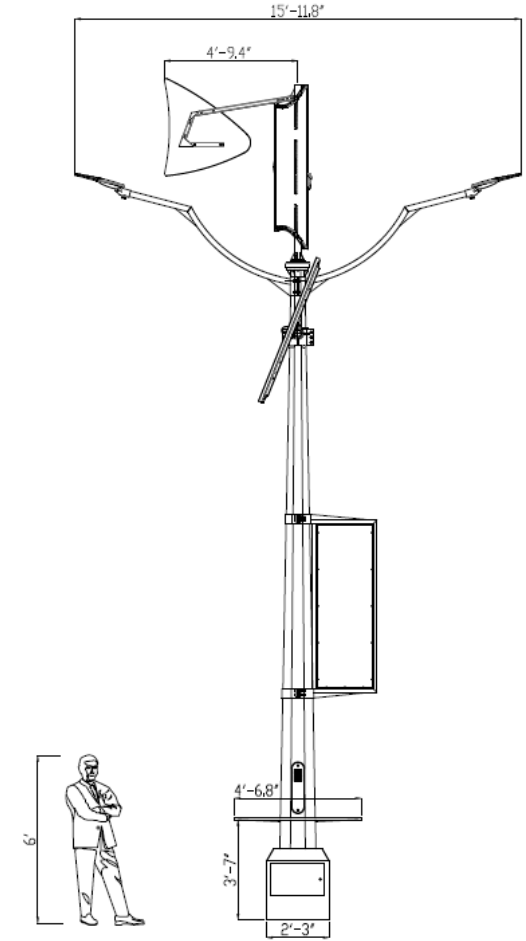
# General Specifications (30' Tall Unit)



Standard Smart Pole  
Right Side

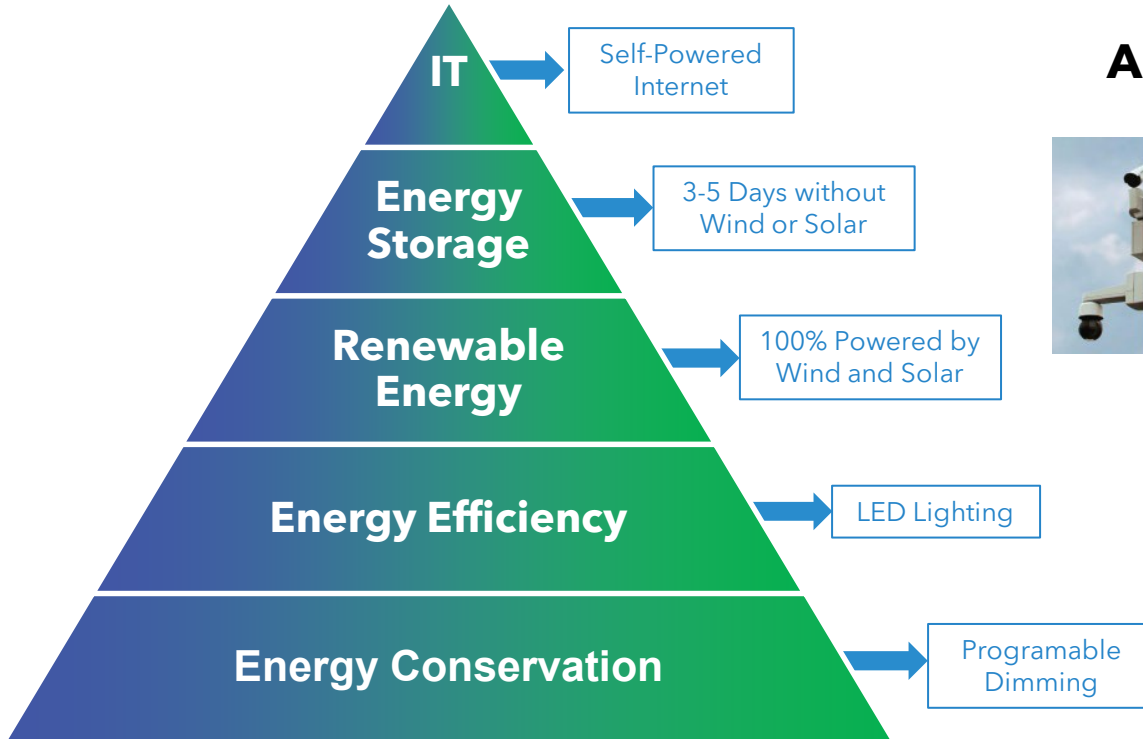


Standard Smart Pole  
Back Side



Upgraded Smart Pole  
with Table and Dual Arm

# Proprietary Charge Controller Manages the Smart Pole Energy Pyramid and Enables Internet Connectivity



## Auxiliary Power Applications



**Coming soon...**

Sensors – weather, air quality, traffic, noise

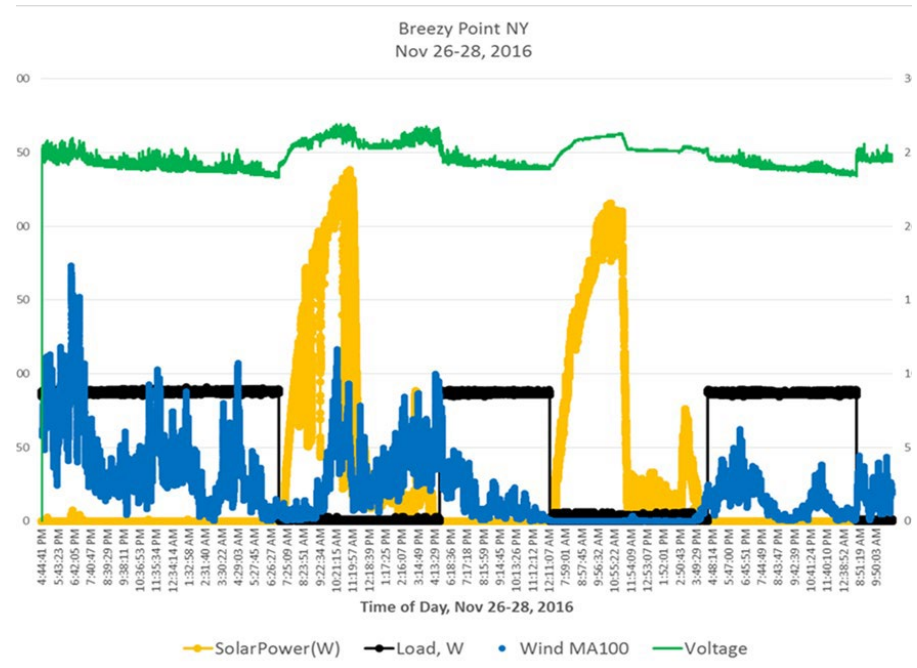
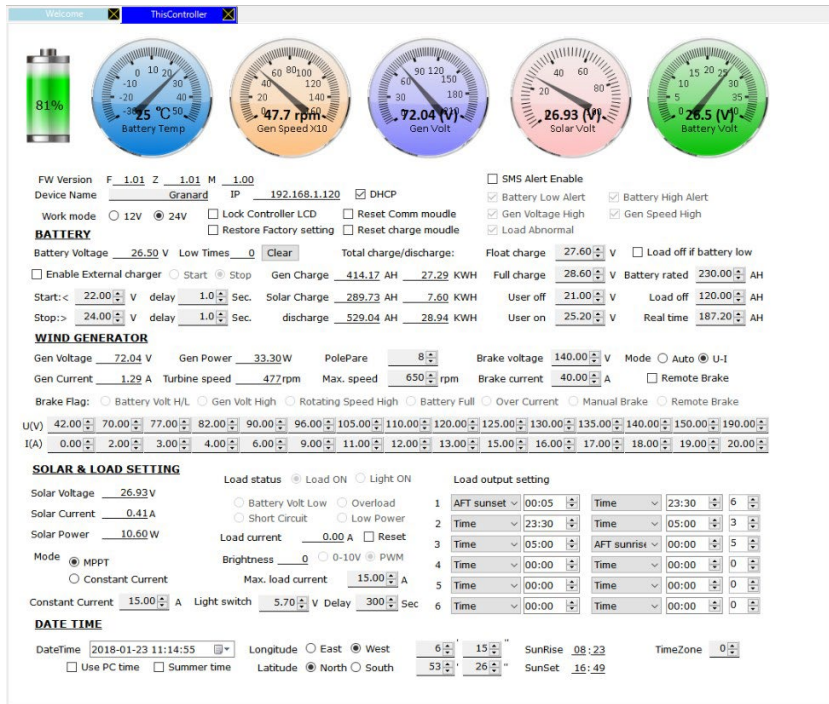




# Get Access to Real Time Data



Cloud platform provides real-time data and historical trend analysis for use in STEM programs, where schools have a real-world application in their backyard to educate children about renewable energy



# Improve Safety and Security

## The Smart Pole's auxiliary power can be used for security applications that improve the safety of the school and community



### **Security Cameras & Remote Monitoring**

Improve security by retrofitting the Smart Pole with a third-party security camera\*



### **Resilient Power = Always on Light**

The Smart Pole will stay on even if the grid goes down



### **Muster Station in Emergency Situations**

A source of light where staff and visitors can assemble during a power outage, with USB stations available for cell phone charging

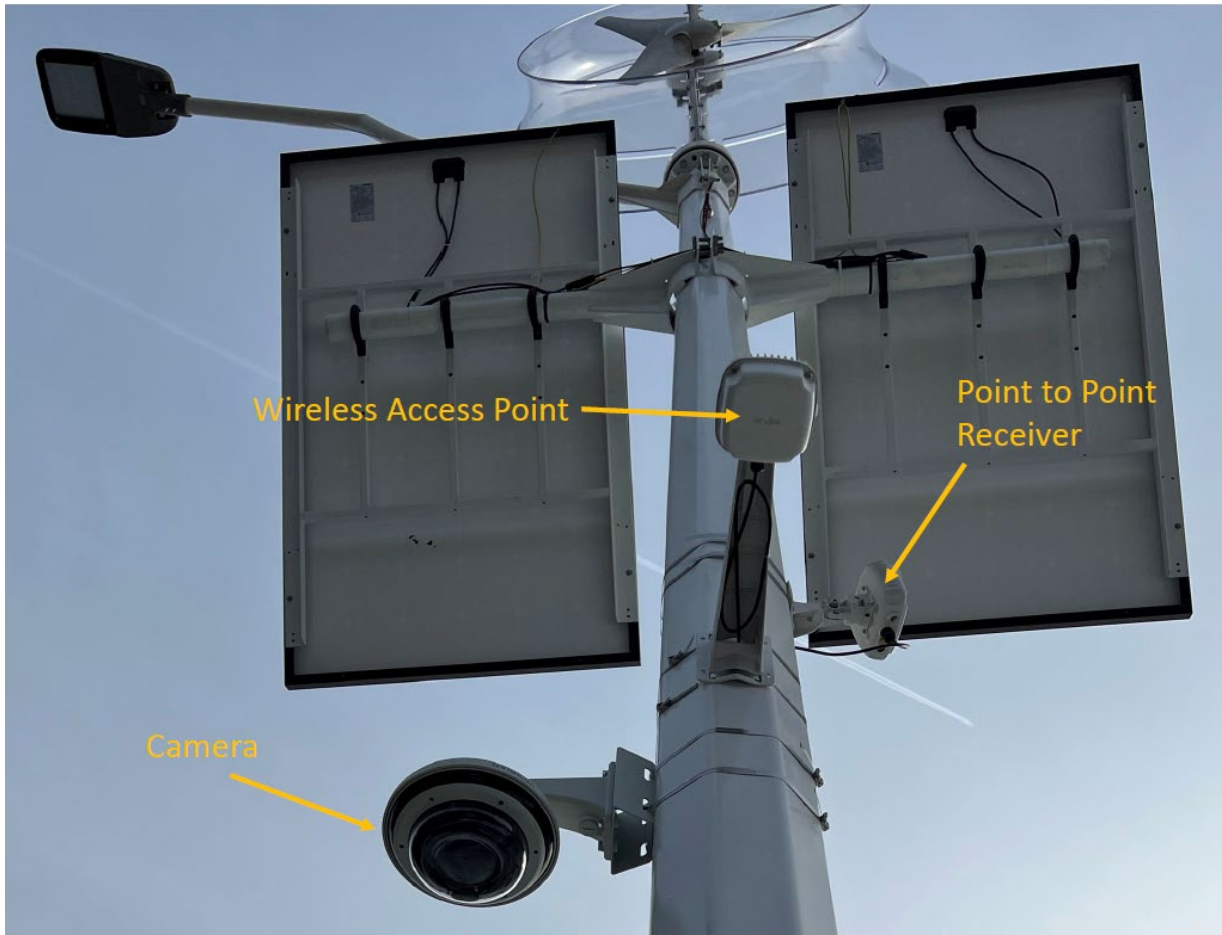




# Smart Poles at Increase Miller Elementary School (Katonah, NY)







## Camera and Wireless Telecom Components Details

# Branding and Advertising Opportunity



**Showcase your organization's commitment to the transition to green energy with the Smart Pole's highly visible banner!**



# Illinois Institute of Technology

*Chicago, Illinois*



**Aris Wind's Smart Poles perfectly fit the customer's commitment toward reducing carbon emissions while giving it recognition for all its efforts in going green**



# Battery Enclosure Options

Above ground enclosures put the batteries above the flood line to prevent water damage and **prolong battery life**



## Skirt Enclosure

Updated design enables the batteries to be stored in the Smart Pole's NEMA3R skirt for a sleek design while protecting it from environmental wear and tear



## Above Ground Enclosure

NEMA3R, Powder-coated aluminum, surface mounted, padlockable and vented, can be configured to provide ~36" of flooding protection



# Tilt-up Installation

- Requires 30' laydown area
- Typically 2 foundations dig/form/pour per day and 1-2 field assembly erections per day

# Updated Investment Tax Credit Incentives



***The Aris Wind Smart Pole is eligible for a 30% ITC based on its renewable energy generation and storage features***

## For Commercial Buyers

- Off-grid power for lighting, security cameras, telecom, and more
- For corporate campuses, muster stations, green branding

### **New ITC Aspects:**

- Full 30% ITC now in place for 10 years
- 10% "bonus ITC" for targeted economic zones
- The balance of 60-70% "post ITC value" still eligible for accelerated depreciation (MACRS, Bonus Depreciation)

## For Institutional Buyers

- For schools, municipalities, hospitals

### **New ITC Aspects:**

- Same ITC now available to non-profits, government, school buyers via the cash **Direct Pay** provision
- Non-profits do not benefit from depreciation like businesses above, BUT 3rd party ownership with asset leased to the non-profit entity can claim both ITC and depreciation.



*Smart Pole equipped with security camera and telecom gear fully powered by off-grid wind and solar*



*Public-private partnership with NYC's Wolfe's Pond Park sponsored by TD Bank*



# Our Latest Projects



# NYC Parks (Sponsored by TD Bank)

*Wolfe's Pond Park, Staten Island*



# Newark Schools Stadium

*Newark, NJ*



# City of New London Rail Trail

*New London, CT*





**Kings County Hospital**

**Brooklyn, NY**





**Jacobi Medical Center**

***Bronx, NY***



# Get In Touch



**Call us**  
**(914) 471-2466**



**Send us an email**  
**[jwhitney@aris-re.com](mailto:jwhitney@aris-re.com)**



**Visit our office**  
**506 S 9<sup>th</sup> Ave, Mount Vernon, NY 10550**



**Visit our website**  
**[www.aris-re.com/ariswind-rpu/](http://www.aris-re.com/ariswind-rpu/)**

